

SB040 40 71B14 H18

Busck wormgear in aluminum

Type	SB040 40 71B14 H18
Brand	BUSCK
Item number	WP044007
Ratio	40
Painting	Powder coating. Silver RAL 9006
Oil	0,08 liter full synthetic oil AGIP Telium VSF320 (Polyglycol base)
Hollowshaft	18 mm
Weight	2,3kg

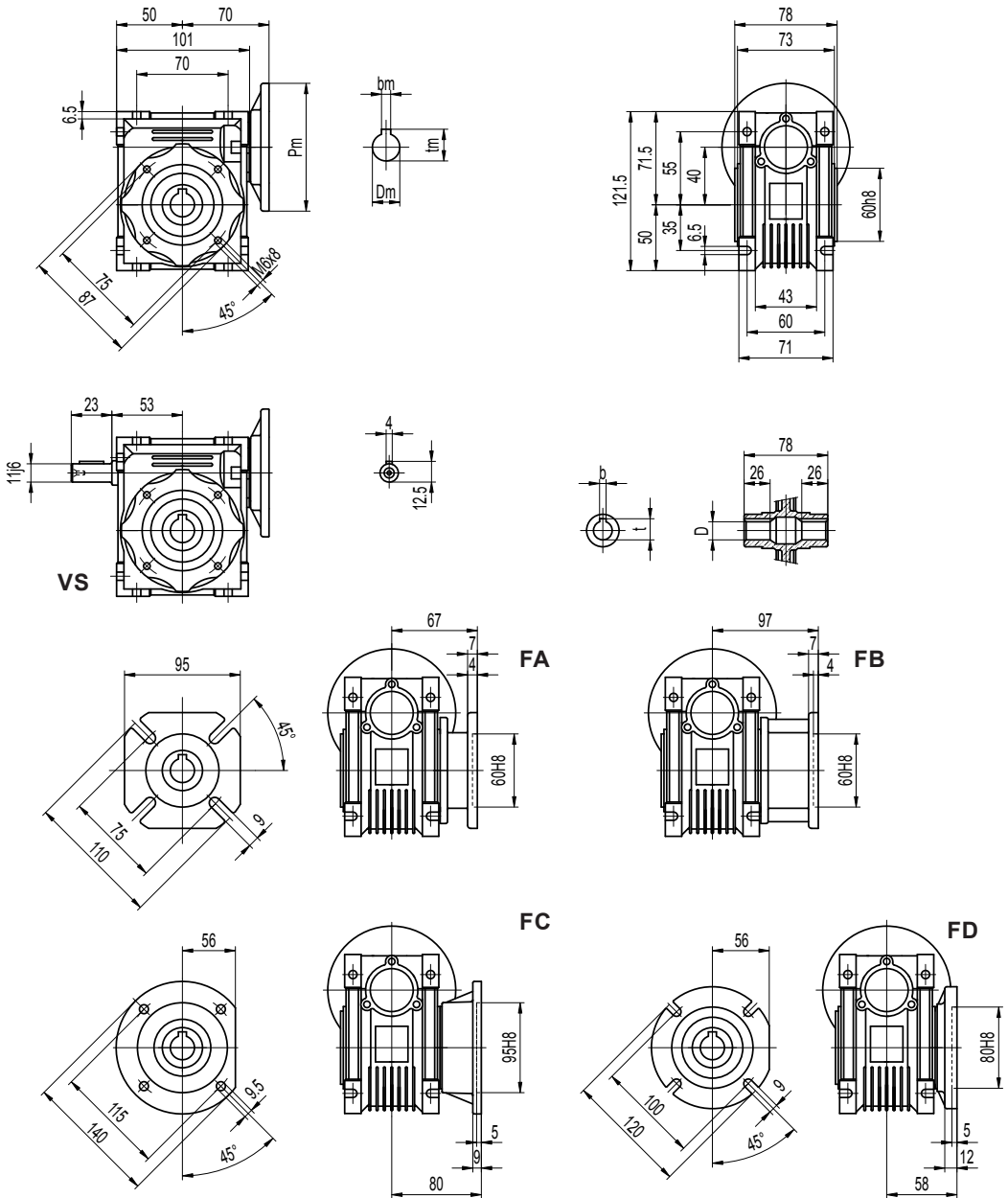
Gear motor data for some motors

Motor	Speed	Torque	Service factor
T2A71A-2 ,37 kW 2840 rpm	71 rpm	35 Nm	0,9
T2A71B-2 ,55 kW 2860 rpm	72 rpm	52 Nm	0,6
T2A71A-4 ,25 kW 1400 rpm	35 rpm	45 Nm	0,9
T2A71B-4 ,37 kW 1400 rpm	35 rpm	66 Nm	0,6
T2A71C-4 ,55 kW 1395 rpm	35 rpm	98 Nm	0,4
T2A71A-6 ,18 kW 850 rpm	21 rpm	50 Nm	0,9
T2A71B-6 ,25 kW 910 rpm	23 rpm	65 Nm	0,7
T2A71C-6 ,37 kW 890 rpm	22 rpm	99 Nm	0,5

Drawing on next page

BUSCK

SB040



(..) Only on request
 Weight: 2,3 kg

Hollow shaft		
D H8	b	t
18	6	20,8
(19)	(6)	(21,8)